

XS Cable Management Systems

Perforated Cable Trays & Raceways

- Patented Roll Formed Profile
- Fast and Easy Installation
- Flexible Layout Feasibility
- Customized Solution
- Off the Shelf Availability
- Choice of Accessories
- ***Xtra Strength***
- ***Xtra Stability***
- ***Xtensive Solution***
- ***X Stock***



A Perfect Solution

An Engineered Product with
Quality, Consistency and
Cost Effectiveness.

Standardized products equipped with
robust technology and emphasizing on
the safety aspects without compromising
on load bearing capacity.

ICONS

Cable Tray Finishes

A	Alu Zinc & Magnesium	G	Pre-Galvanized
4	AISI 304 Stainless Steel	H	Hot-Dip Galvanized
6	AISI 316 Stainless Steel	P	Powder Coated
8	AISI 316 L Stainless Steel		

Items

Dimensions

A (Not applicable)
P (Perforation)
N (Non-Perforation)
C (Conventional Cover)
Z (XS Tray Cover)
t (Thickness in mm)
l (Length in mm)

Widths (W)		Height (H)	
50 mm	05	50 mm	5
75 mm	07	75 mm	7
100 mm	10	100 mm	1
150 mm	15		
200 mm	20		
300 mm	30		
400 mm	40		
450 mm	45		
500 mm	50		
600 mm	60		
750 mm	75		
900 mm	90		

* All Dimensions are in millimeters (mm)

Accessories

TB (Tee Bend)
H3 (30° Horizontal Bend)
H4 (45° Horizontal Bend)
H9 (90° Horizontal Bend)
V3 (30° Vertical Bend)
V4 (45° Vertical Bend)
V9 (90° Vertical Bend)
CB (Cross Bend)
RL (Reducer Left)
RR (Reducer Right)
RE (Reducer Equal)
VU (Vertical Up Bend)
VD (Vertical Down Bend)
ET (Extension Tee)



CABLE TRAY SPECIFICATIONS

Cable Tray Design & Manufacture

Niedax's Cable Tray systems are designed and manufactured according to National (Indian Standard, CPRI) and International Standards (Such as NEMA VE1 and IEC 61537).

Material

Pre-Galvanised Steel:

Trays shall meet the minimum yield and tensile strength of the ASTM standards (ASTM A653) with G 90 coating thickness.

Hot-Dip Galvanised Steel:

Trays are Hot-Dip Galvanised in accordance with ASTM A123.

Stainless Steel:

Trays are constructed of AISI type 304, type 316 or type 316 L stainless steel.

Powder Coated:

Trays are pre-treated and powder coated as per IEC Standards.

Alu Zinc + Magnesium:

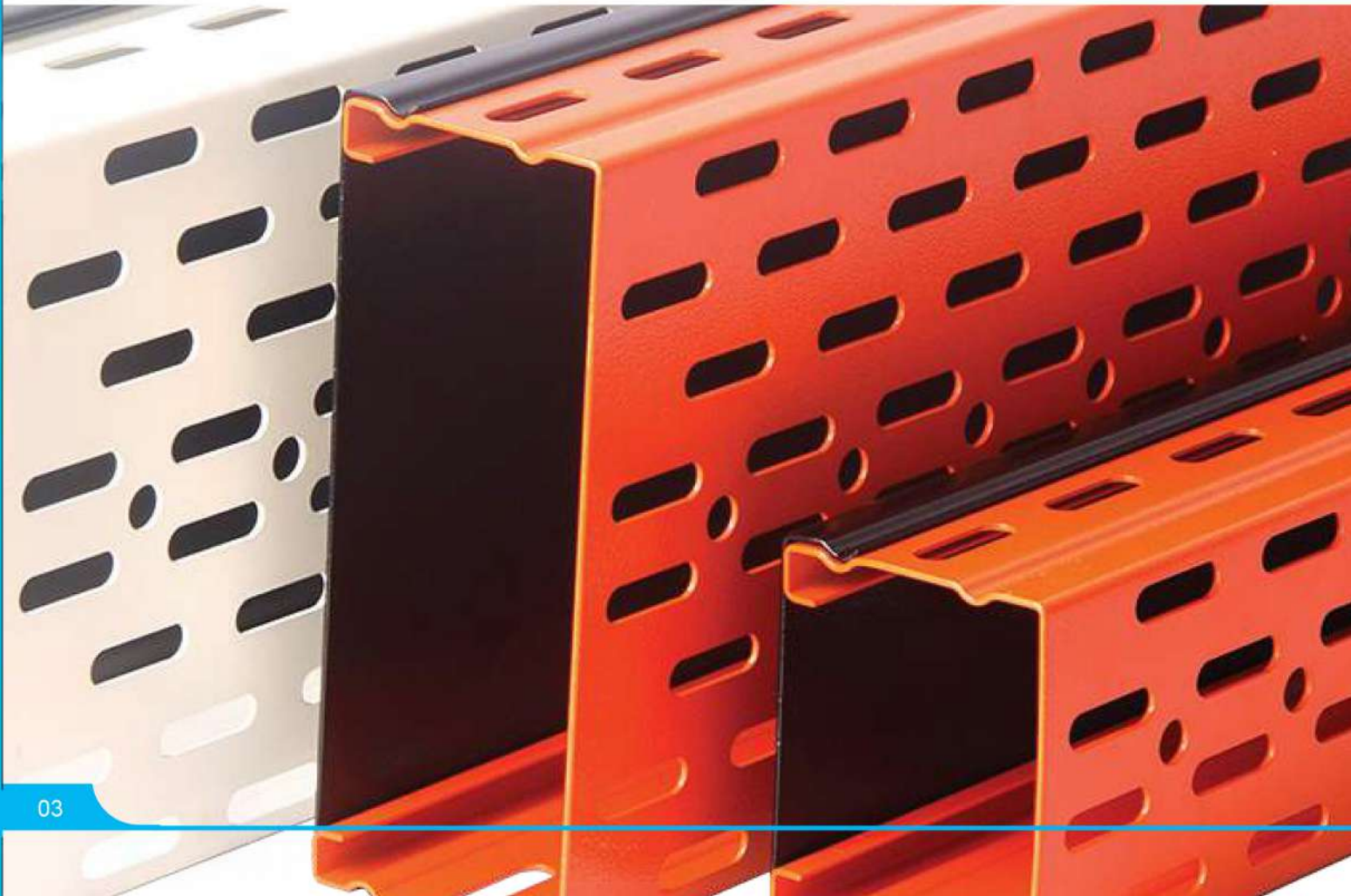
Trays with Zinc-Aluminium-Magnesium coating are ideal for multiple engineering applications where good corrosion resistance in very aggressive environments is required. Due to its unique composition it offers a self healing property on cut edges.

HRCA (Hot Rolled and Close Annealed):

Trays are made of hot roll steel which shall meet IS2062 standard.

CRCA (Cold Rolled Close Annealed):

Trays are made of cold roll steel which shall meet IS513 standard.



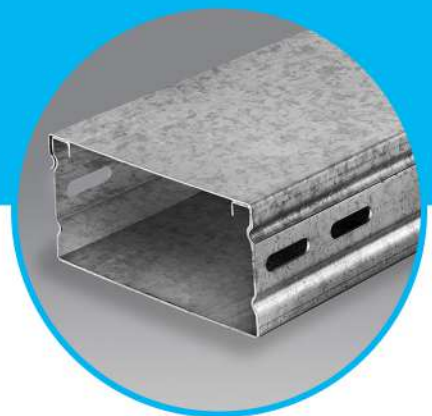
XS Range Profile Type Cable Tray



Rolled Flange For
Extra Stability



Round Hole For
Threaded Rod And Pitch
Design To Suit Multiple
Mounting Positions

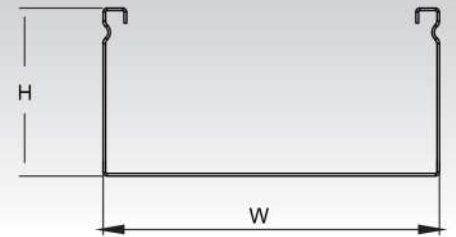


Snap On
Cover

CABLE TRAY DIMENSIONS

Profile Design Cable Tray

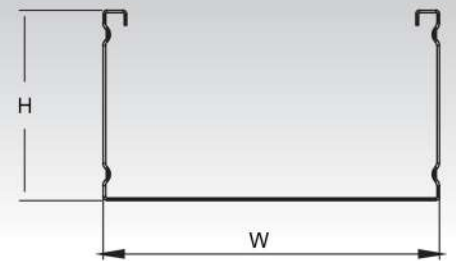
Finish	Tray Model No.	Cover Model No.	Width (W) mm	Height (H) mm
G	XP055tIG	ZN050tIG	50	50
G	XP105tIG	ZN100tIG	100	50
G	XP155tIG	ZN150tIG	150	50
G	XP205tIG	ZN200tIG	200	50
G	XP305tIG	ZN300tIG	300	50
G	XP455tIG	ZN450tIG	450	50
G	XP605tIG	ZN600tIG	600	50
H	XP055tIH	ZN050tIH	50	50
H	XP105tIH	ZN100tIH	100	50
H	XP155tIH	ZN150tIH	150	50
H	XP205tIH	ZN200tIH	200	50
H	XP305tIH	ZN300tIH	300	50
H	XP455tIH	ZN450tIH	450	50
H	XP605tIH	ZN600tIH	600	50
A	Alu Zinc & Magnesium	These finishes are available upon request.		
4	AISI 304			
6	AISI 316			
8	AISI 316 L			
P	Powder Coated			



Front View

Profile Design Cable Tray

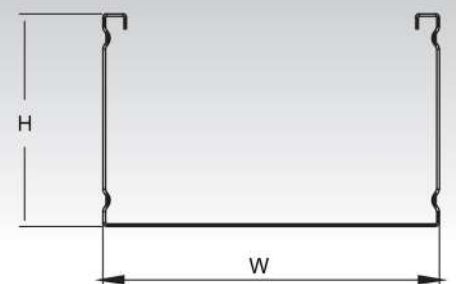
Finish	Tray Model No.	Cover Model No.	Width (W) mm	Height (H) mm
G	XP077tIG	ZN050tIG	50	75
G	XP107tIG	ZN100tIG	100	75
G	XP157tIG	ZN150tIG	150	75
G	XP207tIG	ZN200tIG	200	75
G	XP307tIG	ZN300tIG	300	75
G	XP457tIG	ZN450tIG	450	75
G	XP607tIG	ZN600tIG	600	75
H	XP077tIH	ZN050tIH	50	75
H	XP107tIH	ZN100tIH	100	75
H	XP157tIH	ZN150tIH	150	75
H	XP207tIH	ZN200tIH	200	75
H	XP307tIH	ZN300tIH	300	75
H	XP457tIH	ZN450tIH	450	75
H	XP607tIH	ZN600tIH	600	75
A	Alu Zinc & Magnesium	These finishes are available upon request.		
4	AISI 304			
6	AISI 316			
8	AISI 316 L			
P	Powder Coated			



Front View

Profile Design Cable Tray

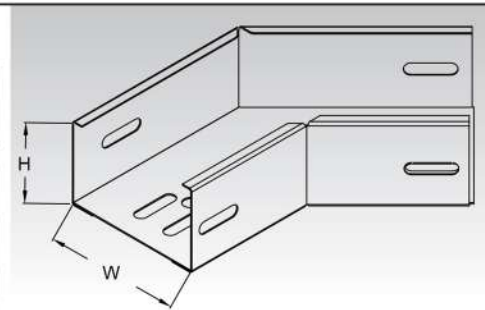
Finish	Tray Model No.	Cover Model No.	Width (W) mm	Height (H) mm
G	XP051tIG	ZN050tIG	50	100
G	XP101tIG	ZN100tIG	100	100
G	XP151tIG	ZN150tIG	150	100
G	XP201tIG	ZN200tIG	200	100
G	XP301tIG	ZN300tIG	300	100
G	XP451tIG	ZN450tIG	450	100
G	XP601tIG	ZN600tIG	600	100
H	XP051tIH	ZN050tIH	50	100
H	XP101tIH	ZN100tIH	100	100
H	XP151tIH	ZN150tIH	150	100
H	XP201tIH	ZN200tIH	200	100
H	XP301tIH	ZN300tIH	300	100
H	XP451tIH	ZN450tIH	450	100
H	XP601tIH	ZN600tIH	600	100
A	Alu Zinc & Magnesium	These finishes are available upon request.		
4	AISI 304			
6	AISI 316			
8	AISI 316 L			
P	Powder Coated			



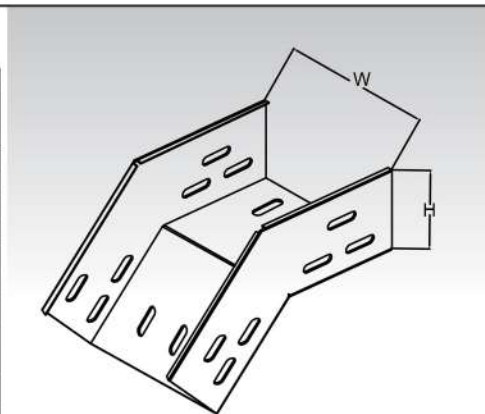
Front View

Cable Tray's Accessories Range
45° Horizontal Bend

Finish	Tray Model No.	Cover Model No.	Width (W) mm	Height (H) mm
G	TP055t0GH4	CN050t0GH4	50	50
G	TP105t0GH4	CN100t0GH4	100	50
G	TP155t0GH4	CN150t0GH4	150	50
G	TP205t0GH4	CN200t0GH4	200	50
G	TP305t0GH4	CN300t0GH4	300	50
G	TP455t0GH4	CN450t0GH4	450	50
G	TP605t0GH4	CN600t0GH4	600	50
H	TN055t0HH4	CN050t0HH4	50	50
H	TP105t0HH4	CN100t0HH4	100	50
H	TP155t0HH4	CN150t0HH4	150	50
H	TP205t0HH4	CN200t0HH4	200	50
H	TP305t0HH4	CN300t0HH4	300	50
H	TP455t0HH4	CN450t0HH4	450	50
H	TP605t0HH4	CN600t0HH4	600	50
A	Alu Zinc & Magnesium	These finishes are available upon request.		
4	AISI 304			
6	AISI 316			
8	AISI 316 L			
P	Powder Coated			


45° Vertical Bend

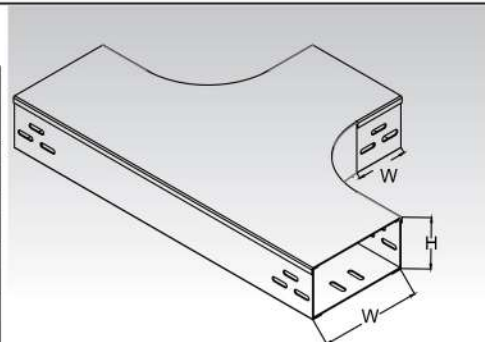
Finish	Tray Model No.	Cover Model No.	Width (W) mm	Height (H) mm
G	TP055t0GV4	CN050t0GV4	50	50
G	TP105t0GV4	CN100t0GV4	100	50
G	TP155t0GV4	CN150t0GV4	150	50
G	TP205t0GV4	CN200t0GV4	200	50
G	TP305t0GV4	CN300t0GV4	300	50
G	TP455t0GV4	CN450t0GV4	450	50
G	TP605t0GV4	CN600t0GV4	600	50
H	TP055t0HV4	CN050t0HV4	50	50
H	TP105t0HV4	CN100t0HV4	100	50
H	TP155t0HV4	CN150t0HV4	150	50
H	TP205t0HV4	CN200t0HV4	200	50
H	TP305t0HV4	CN300t0HV4	300	50
H	TP455t0HV4	CN450t0HV4	450	50
H	TP605t0HV4	CN600t0HV4	600	50
A	Alu Zinc & Magnesium	These finishes are available upon request.		
4	AISI 304			
6	AISI 316			
8	AISI 316 L			
P	Powder Coated			



These accessories are available in 30° and 90° options.

TB (Tee Bend)

Finish	Tray Model No.	Cover Model No.	Width (W) mm	Height (H) mm
G	TP055t0GTB	CN050t0GTB	50	50
G	TP105t0GTB	CN100t0GTB	100	50
G	TP155t0GTB	CN150t0GTB	150	50
G	TP205t0GTB	CN200t0GTB	200	50
G	TP305t0GTB	CN300t0GTB	300	50
G	TP455t0GTB	CN450t0GTB	450	50
G	TP605t0GTB	CN600t0GTB	600	50
H	TP055t0HTB	CN050t0HTB	50	50
H	TP105t0HTB	CN100t0HTB	100	50
H	TP155t0HTB	CN150t0HTB	150	50
H	TP205t0HTB	CN200t0HTB	200	50
H	TP305t0HTB	CN300t0HTB	300	50
H	TP455t0HTB	CN450t0HTB	450	50
H	TP605t0HTB	CN600t0HTB	600	50
A	Alu Zinc & Magnesium	These finishes are available upon request.		
4	AISI 304			
6	AISI 316			
8	AISI 316 L			
P	Powder Coated			

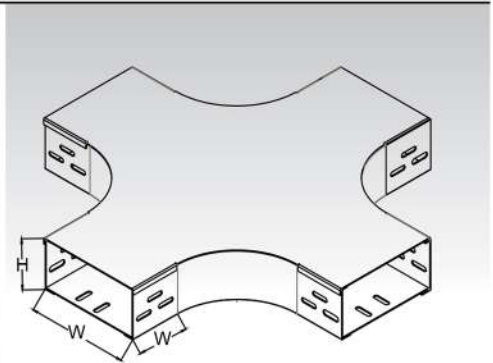


CABLE TRAY DIMENSIONS

Cable Tray's Accessories Range

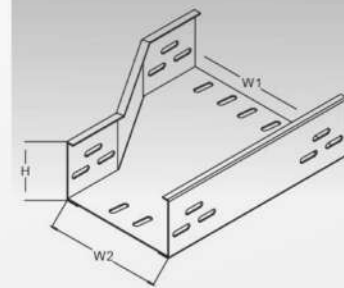
CB (Cross Bend)

Finish	Tray Model No.	Cover Model No.	Width (W) mm	Height (H) mm
G	TN055t0GCB	CN050t0GCB	50	50
G	TP105t0GCB	CN100t0GCB	100	50
G	TP155t0GCB	CN150t0GCB	150	50
G	TP205t0GCB	CN200t0GCB	200	50
G	TP305t0GCB	CN300t0GCB	300	50
G	TP455t0GCB	CN450t0GCB	450	50
G	TP605t0GCB	CN600t0GCB	600	50
H	TN055t0HCB	CN050t0HCB	50	50
H	TP105t0HCB	CN100t0HCB	100	50
H	TP155t0HCB	CN150t0HCB	150	50
H	TP205t0HCB	CN200t0HCB	200	50
H	TP305t0HCB	CN300t0HCB	300	50
H	TP455t0HCB	CN450t0HCB	450	50
H	TP605t0HCB	CN600t0HCB	600	50
A	Alu Zinc & Magnesium	These finishes are available upon request.		
4	AISI 304			
6	AISI 316			
8	AISI 316 L			
P	Powder Coated			



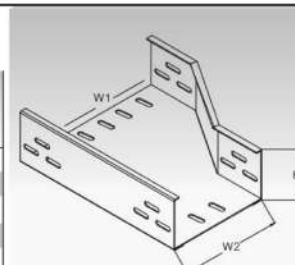
RL (Reducer Left)

Finish	Tray Model No.	Cover Model No.	Width (W1) mm	Width (W2) mm	Height (H) mm
G	TP105t0GRL05	CN100t0GRL05	100	50	50
G	TP155t0GRL10	CN150t0GRL10	150	100	50
G	TP205t0GRL15	CN200t0GRL15	200	150	50
G	TP305t0GRL20	CN300t0GRL20	300	200	50
G	TP455t0GRL30	CN450t0GRL30	450	300	50
G	TP605t0GRL45	CN600t0GRL45	600	450	50
H	TP105t0HRL05	CN100t0HRL05	100	50	50
H	TP155t0HRL10	CN150t0HRL10	150	100	50
H	TP205t0HRL15	CN200t0HRL15	200	150	50
H	TP305t0HRL20	CN300t0HRL20	300	200	50
H	TP455t0HRL30	CN450t0HRL30	450	300	50
H	TP605t0HRL45	CN600t0HRL45	600	450	50
A	Alu Zinc & Magnesium	These finishes are available upon request.			
4	AISI 304				
6	AISI 316				
8	AISI 316 L				
P	Powder Coated				



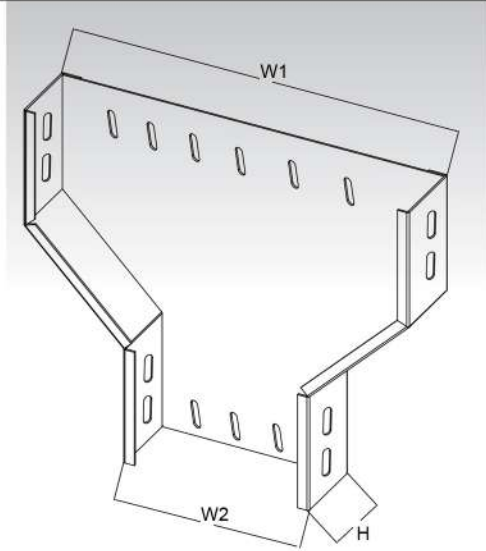
RR (Reducer Right)

Finish	Tray Model No.	Cover Model No.	Width (W1) mm	Width (W2) mm	Height (H) mm
G	TP105t0GRR05	CN100t0GRR05	100	50	50
G	TP155t0GRR10	CN150t0GRR10	150	100	50
G	TP205t0GRR15	CN200t0GRR15	200	150	50
G	TP305t0GRR20	CN300t0GRR20	300	200	50
G	TP455t0GRR30	CN450t0GRR30	450	300	50
G	TP605t0GRR45	CN600t0GRR45	600	450	50
H	TP105t0HRR05	CN100t0HRR05	100	50	50
H	TP155t0HRR10	CN150t0HRR10	150	100	50
H	TP205t0HRR15	CN200t0HRR15	200	150	50
H	TP305t0HRR20	CN300t0HRR20	300	200	50
H	TP455t0HRR30	CN450t0HRR30	450	300	50
H	TP605t0HRR45	CN600t0HRR45	600	450	50
A	Alu Zinc & Magnesium	These finishes are available upon request.			
4	AISI 304				
6	AISI 316				
8	AISI 316 L				
P	Powder Coated				

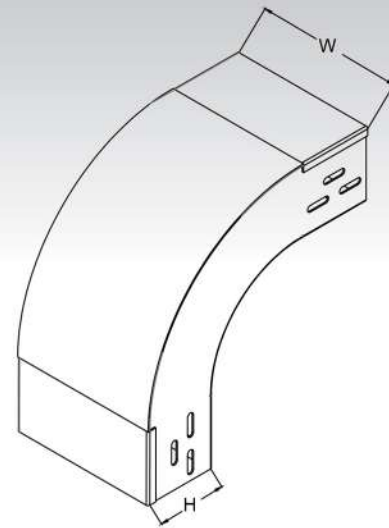


Cable Tray's Accessories Range
RE (Reducer Equal)

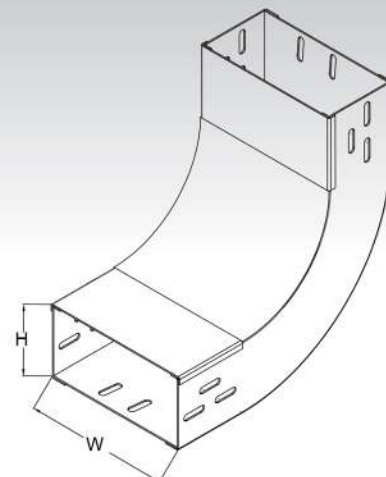
Finish	Tray Model No.	Cover Model No.	Width (W1) mm	Width (W2) mm	Height (H) mm
G	TP105t0GRE05	CN100t0GRE05	100	50	50
G	TP155t0GRE10	CN150t0GRE10	150	100	50
G	TP205t0GRE15	CN200t0GRE15	200	150	50
G	TP305t0GRE20	CN300t0GRE20	300	200	50
G	TP455t0GRE30	CN450t0GRE30	450	300	50
G	TP605t0GRE45	CN600t0GRE45	600	450	50
H	TP105t0HRE05	CN100t0HRE05	100	50	50
H	TP155t0HRE10	CN150t0HRE10	150	100	50
H	TP205t0HRE15	CN200t0HRE15	200	150	50
H	TP305t0HRE20	CN300t0HRE20	300	200	50
H	TP455t0HRE30	CN450t0HRE30	450	300	50
H	TP605t0HRE45	CN600t0HRE45	600	450	50
A	Alu Zinc & Magnesium	These finishes are available upon request.			
4	AISI 304				
6	AISI 316				
8	AISI 316 L				
P	Powder Coated				


VU (Vertical Up Bend)

Finish	Tray Model No.	Cover Model No.	Width (W) mm	Height (H) mm
G	TP055t0GVU	CN050t0GVU	50	50
G	TP105t0GVU	CN100t0GVU	100	50
G	TP155t0GVU	CN150t0GVU	150	50
G	TP205t0GVU	CN200t0GVU	200	50
G	TP305t0GVU	CN300t0GVU	300	50
G	TP455t0GVU	CN450t0GVU	450	50
G	TP605t0GVU	CN600t0GVU	600	50
H	TP055t0HVU	CN050t0HVU	50	50
H	TP105t0HVU	CN100t0HVU	100	50
H	TP155t0HVU	CN150t0HVU	150	50
H	TP205t0HVU	CN200t0HVU	200	50
H	TP305t0HVU	CN300t0HVU	300	50
H	TP455t0HVU	CN450t0HVU	450	50
H	TP605t0HVU	CN600t0HVU	600	50
A	Alu Zinc & Magnesium	These finishes are available upon request.		
4	AISI 304			
6	AISI 316			
8	AISI 316 L			
P	Powder Coated			


VD (Vertical Down Bend)

Finish	Tray Model No.	Cover Model No.	Width (W) mm	Height (H) mm
G	TP055t0GVD	CN050t0GVD	50	50
G	TP105t0GVD	CN100t0GVD	100	50
G	TP155t0GVD	CN150t0GVD	150	50
G	TP205t0GVD	CN200t0GVD	200	50
G	TP305t0GVD	CN300t0GVD	300	50
G	TP455t0GVD	CN450t0GVD	450	50
G	TP605t0GVD	CN600t0GVD	600	50
H	TP055t0HVD	CN050t0HVD	50	50
H	TP105t0HVD	CN100t0HVD	100	50
H	TP155t0HVD	CN150t0HVD	150	50
H	TP205t0HVD	CN200t0HVD	200	50
H	TP305t0HVD	CN300t0HVD	300	50
H	TP455t0HVD	CN450t0HVD	450	50
H	TP605t0HVD	CN600t0HVD	600	50
A	Alu Zinc & Magnesium	These finishes are available upon request.		
4	AISI 304			
6	AISI 316			
8	AISI 316 L			
P	Powder Coated			

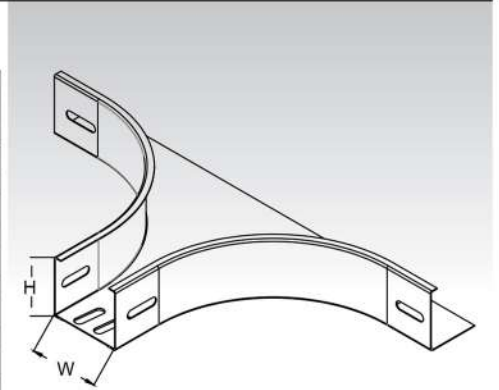


CABLE TRAY DIMENSIONS

Cable Tray's Accessories Range

ET (Extension Tee)

Finish	Tray Model No.	Cover Model No.	Width (W) mm	Height (H) mm
G	TP055t0GET	CN050t0GET	50	50
G	TP105t0GET	CN100t0GET	100	50
G	TP155t0GET	CN150t0GET	150	50
G	TP205t0GET	CN200t0GET	200	50
G	TP305t0GET	CN300t0GET	300	50
G	TP455t0GET	CN450t0GET	450	50
G	TP605t0GET	CN600t0GET	600	50
H	TP055t0HET	CN050t0HET	50	50
H	TP105t0HET	CN100t0HET	100	50
H	TP155t0HET	CN150t0HET	150	50
H	TP205t0HET	CN200t0HET	200	50
H	TP305t0HET	CN300t0HET	300	50
H	TP455t0HET	CN450t0HET	450	50
H	TP605t0HET	CN600t0HET	600	50
A	Alu Zinc & Magnesium	These finishes are available upon request.		
4	AISI 304			
6	AISI 316			
8	AISI 316 L			
P	Powder Coated			

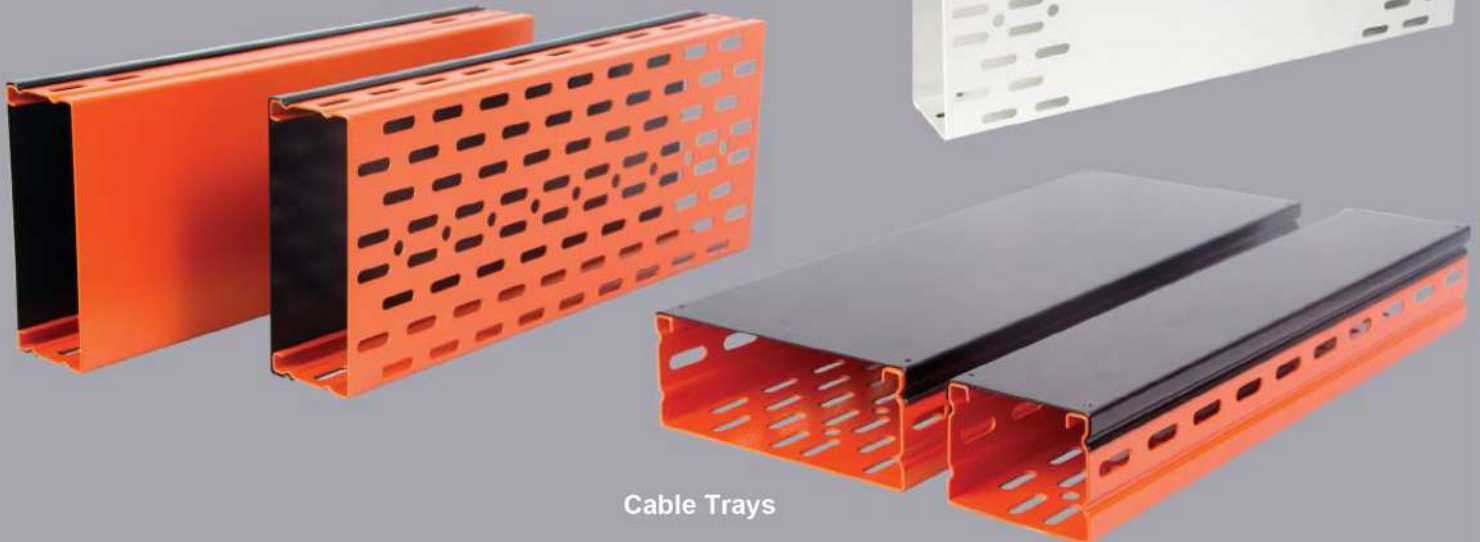
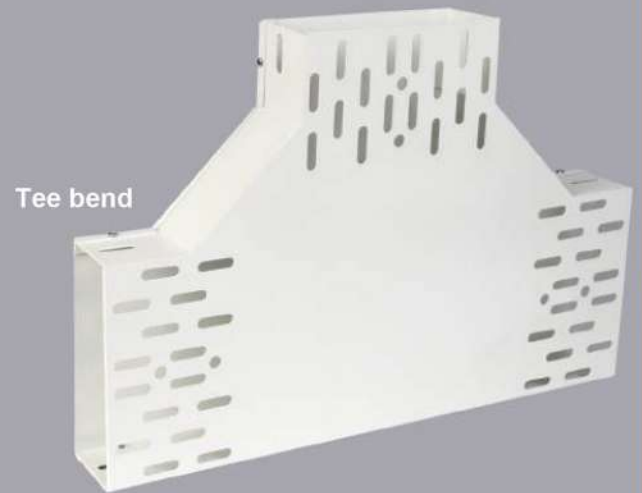


Product height customization options are available depending upon request.

Standard thickness:

- 1.6 (0.8, 1.0, 1.2, 1.8 & 2.0 available on request).
- Upto 1.6 mm thickness is available for SS and Pre-Galvanized materials.
- Upto 2 mm thickness is available for Hot-Dip Galvanized materials.

Standard Length upto 3 mtrs is available.

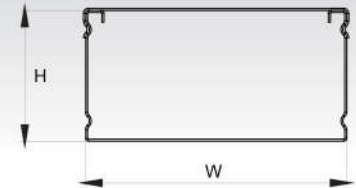


RACEWAY DIMENSION

Profile Design Raceways

Finish	Tray Model No.	Cover Model No.	Width (W) mm	Height (H) mm
G	RN055tIG	ZN050tIG	50	50
G	RN105tIG	ZN100tIG	100	50
G	RN155tIG	ZN150tIG	150	50
G	RN205tIG	ZN200tIG	200	50
G	RN305tIG	ZN300tIG	300	50
G	RN455tIG	ZN450tIG	450	50
G	RN605tIG	ZN600tIG	600	50
H	RN055tIH	ZN050tIH	50	50
H	RN105tIH	ZN100tIH	100	50
H	RN155tIH	ZN150tIH	150	50
H	RN205tIH	ZN200tIH	200	50
H	RN305tIH	ZN300tIH	300	50
H	RN455tIH	ZN450tIH	450	50
H	RN605tIH	ZN600tIH	600	50
A	Alu Zinc & Magnesium			
4	AISI 304			
6	AISI 316			
8	AISI 316 L			
P	Powder Coated			

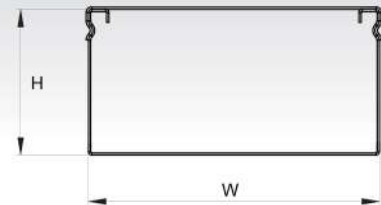
These finishes are available upon request.



Profile Design Raceways

Finish	Tray Model No.	Cover Model No.	Width (W) mm	Height (H) mm
G	RN055tIG	ZN050tIG	50	75
G	RN105tIG	ZN100tIG	100	75
G	RN155tIG	ZN150tIG	150	75
G	RN205tIG	ZN200tIG	200	75
G	RN305tIG	ZN300tIG	300	75
G	RN455tIG	ZN450tIG	450	75
G	RN605tIG	ZN600tIG	600	75
H	RN055tIH	ZN050tIH	50	75
H	RN105tIH	ZN100tIH	100	75
H	RN155tIH	ZN150tIH	150	75
H	RN205tIH	ZN200tIH	200	75
H	RN305tIH	ZN300tIH	300	75
H	RN455tIH	ZN450tIH	450	75
H	RN605tIH	ZN600tIH	600	75
A	Alu Zinc & Magnesium			
4	AISI 304			
6	AISI 316			
8	AISI 316 L			
P	Powder Coated			

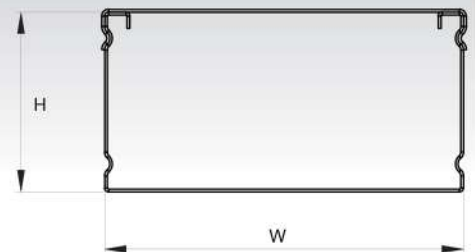
These finishes are available upon request.



Profile Design Raceways

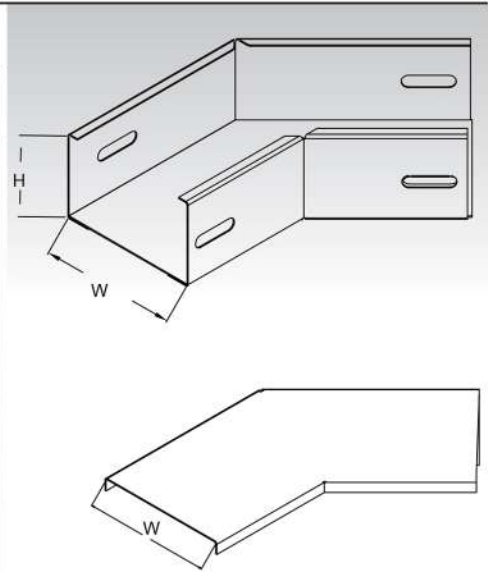
Finish	Tray Model No.	Cover Model No.	Width (W) mm	Height (H) mm
G	RN055tIG	ZN050tIG	50	100
G	RN105tIG	ZN100tIG	100	100
G	RN155tIG	ZN150tIG	150	100
G	RN205tIG	ZN200tIG	200	100
G	RN305tIG	ZN300tIG	300	100
G	RN455tIG	ZN450tIG	450	100
G	RN605tIG	ZN600tIG	600	100
H	RN055tIH	ZN050tIH	50	100
H	RN105tIH	ZN100tIH	100	100
H	RN155tIH	ZN150tIH	150	100
H	RN205tIH	ZN200tIH	200	100
H	RN305tIH	ZN300tIH	300	100
H	RN455tIH	ZN450tIH	450	100
H	RN605tIH	ZN600tIH	600	100
A	Alu Zinc & Magnesium			
4	AISI 304			
6	AISI 316			
8	AISI 316 L			
P	Powder Coated			

These finishes are available upon request.

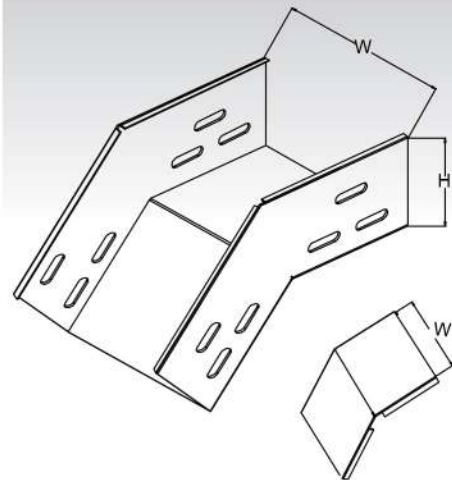


Raceways Accessories Range
45° Horizontal Bend

Finish	Tray Model No.	Cover Model No.	Width (W) mm	Height (H) mm
G	TN055t0GH4	CN050t0GH4	50	50
G	TN105t0GH4	CN100t0GH4	100	50
G	TN155t0GH4	CN150t0GH4	150	50
G	TN205t0GH4	CN200t0GH4	200	50
G	TN305t0GH4	CN300t0GH4	300	50
G	TN455t0GH4	CN450t0GH4	450	50
G	TN605t0GH4	CN600t0GH4	600	50
H	TN055t0HH4	CN050t0HH4	50	50
H	TN105t0HH4	CN100t0HH4	100	50
H	TN155t0HH4	CN150t0HH4	150	50
H	TN205t0HH4	CN200t0HH4	200	50
H	TN305t0HH4	CN300t0HH4	300	50
H	TN455t0HH4	CN450t0HH4	450	50
H	TN605t0HH4	CN600t0HH4	600	50
A	Alu Zinc & Magnesium	These finishes are available upon request.		
4	AISI 304			
6	AISI 316			
8	AISI 316 L			
P	Powder Coated			


45° Vertical Bend

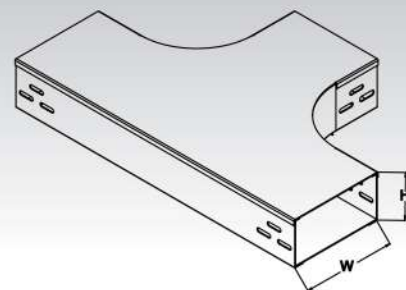
Finish	Tray Model No.	Cover Model No.	Width (W) mm	Height (H) mm
G	TN055t0GV4	CN050t0GV4	50	50
G	TN105t0GV4	CN100t0GV4	100	50
G	TN155t0GV4	CN150t0GV4	150	50
G	TN205t0GV4	CN200t0GV4	200	50
G	TN305t0GV4	CN300t0GV4	300	50
G	TN455t0GV4	CN450t0GV4	450	50
G	TN605t0GV4	CN600t0GV4	600	50
H	TN055t0HV4	CN050t0HV4	50	50
H	TN105t0HV4	CN100t0HV4	100	50
H	TN155t0HV4	CN150t0HV4	150	50
H	TN205t0HV4	CN200t0HV4	200	50
H	TN305t0HV4	CN300t0HV4	300	50
H	TN455t0HV4	CN450t0HV4	450	50
H	TN605t0HV4	CN600t0HV4	600	50
A	Alu Zinc & Magnesium	These finishes are available upon request.		
4	AISI 304			
6	AISI 316			
8	AISI 316 L			
P	Powder Coated			



These accessories are available in 30° and 90° options.

TB (Tee Bend)

Finish	Tray Model No.	Cover Model No.	Width (W) mm	Height (H) mm
G	TN055t0GTB	CN050t0GTB	50	50
G	TN105t0GTB	CN100t0GTB	100	50
G	TN155t0GTB	CN150t0GTB	150	50
G	TN205t0GTB	CN200t0GTB	200	50
G	TN305t0GTB	CN300t0GTB	300	50
G	TN455t0GTB	CN450t0GTB	450	50
G	TN605t0GTB	CN600t0GTB	600	50
H	TN055t0HTB	CN050t0HTB	50	50
H	TN105t0HTB	CN100t0HTB	100	50
H	TN155t0HTB	CN150t0HTB	150	50
H	TN205t0HTB	CN200t0HTB	200	50
H	TN305t0HTB	CN300t0HTB	300	50
H	TN455t0HTB	CN450t0HTB	450	50
H	TN605t0HTB	CN600t0HTB	600	50
A	Alu Zinc & Magnesium	These finishes are available upon request.		
4	AISI 304			
6	AISI 316			
8	AISI 316 L			
P	Powder Coated			



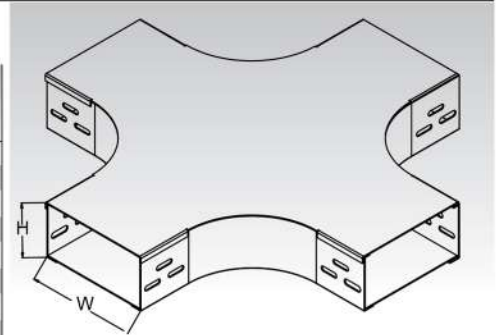
These accessories are also available in different heights.

RACEWAY DIMENSION

Raceways Accessories Range

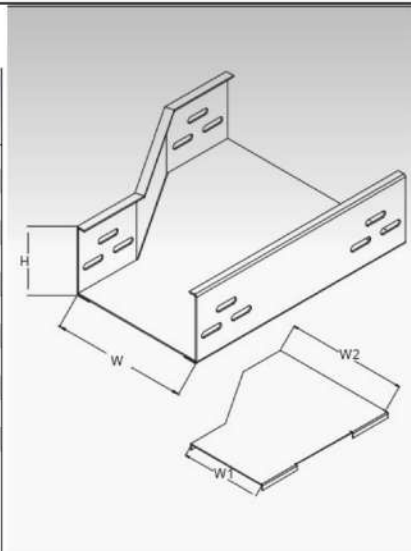
CB (Cross Bend)

Finish	Tray Model No.	Cover Model No.	Width (W) mm	Height (H) mm
G	TN055t0GCB	CN050t0GCB	50	50
G	TN105t0GCB	CN100t0GCB	100	50
G	TN155t0GCB	CN150t0GCB	150	50
G	TN205t0GCB	CN200t0GCB	200	50
G	TN305t0GCB	CN300t0GCB	300	50
G	TN455t0GCB	CN450t0GCB	450	50
G	TN605t0GCB	CN600t0GCB	600	50
H	TN055t0HCB	CN050t0HCB	50	50
H	TN105t0HCB	CN100t0HCB	100	50
H	TN155t0HCB	CN150t0HCB	150	50
H	TN205t0HCB	CN200t0HCB	200	50
H	TN305t0HCB	CN300t0HCB	300	50
H	TN455t0HCB	CN450t0HCB	450	50
H	TN605t0HCB	CN600t0HCB	600	50
A	Alu Zinc & Magnesium	These finishes are available upon request.		
4	AISI 304			
6	AISI 316			
8	AISI 316 L			
P	Powder Coated			



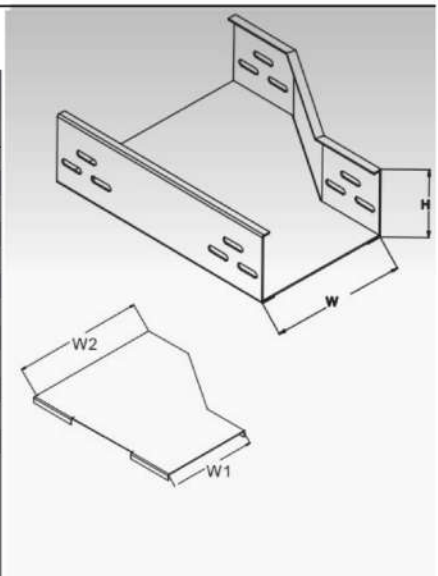
RL (Reducer Left)

Finish	Tray Model No.	Cover Model No.	Width (W1) mm	Width (W2) mm	Height (H) mm
G	TN105t0GRL05	CN100t0GRL05	100	50	50
G	TN155t0GRL10	CN150t0GRL10	150	100	50
G	TN205t0GRL15	CN200t0GRL15	200	150	50
G	TN305t0GRL20	CN300t0GRL20	300	200	50
G	TN455t0GRL30	CN450t0GRL30	450	300	50
G	TN605t0GRL45	CN600t0GRL45	600	450	50
H	TN105t0HRL05	CN100t0HRL05	100	50	50
H	TN155t0HRL10	CN150t0HRL10	150	100	50
H	TN205t0HRL15	CN200t0HRL15	200	150	50
H	TN305t0HRL20	CN300t0HRL20	300	200	50
H	TN455t0HRL30	CN450t0HRL30	450	300	50
H	TN605t0HRL45	CN600t0HRL45	600	450	50
A	Alu Zinc & Magnesium	These finishes are available upon request.			
4	AISI 304				
6	AISI 316				
8	AISI 316 L				
P	Powder Coated				



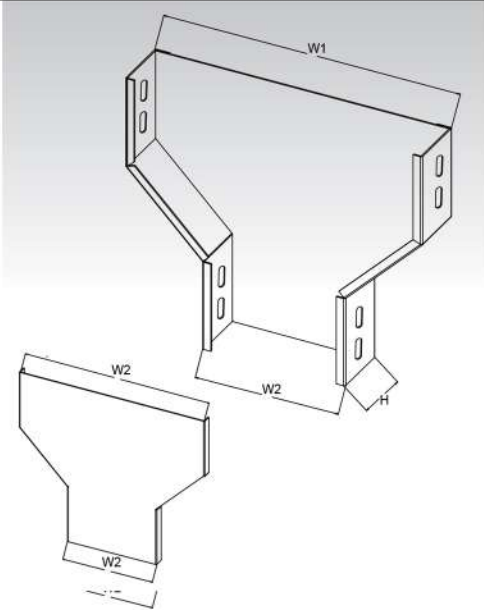
RR (Reducer Right)

Finish	Tray Model No.	Cover Model No.	Width (W1) mm	Width (W2) mm	Height (H) mm
G	TN105t0GRR05	CN100t0GRR05	100	50	50
G	TN155t0GRR10	CN150t0GRR10	150	100	50
G	TN205t0GRR15	CN200t0GRR15	200	150	50
G	TN305t0GRR20	CN300t0GRR20	300	200	50
G	TN455t0GRR30	CN450t0GRR30	450	300	50
G	TN605t0GRR45	CN600t0GRR45	600	450	50
H	TN105t0HRR05	CN100t0HRR05	100	50	50
H	TN155t0HRR10	CN150t0HRR10	150	100	50
H	TN205t0HRR15	CN200t0HRR15	200	150	50
H	TN305t0HRR20	CN300t0HRR20	300	200	50
H	TN455t0HRR30	CN450t0HRR30	450	300	50
H	TN605t0HRR45	CN600t0HRR45	600	450	50
A	Alu Zinc & Magnesium	These finishes are available upon request.			
4	AISI 304				
6	AISI 316				
8	AISI 316 L				
P	Powder Coated				

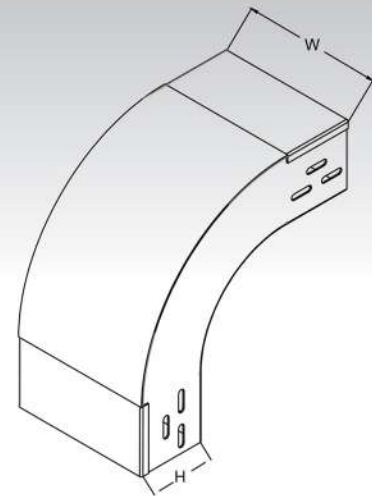


Raceways Accessories Range
RE (Reducer Equal)

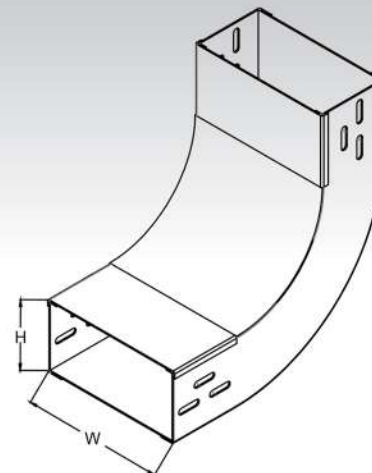
Finish	Tray Model No.	Cover Model No.	Width (W1) mm	Width (W2) mm	Height (H) mm
G	TN105t0GRE05	CN100t0GRE05	100	50	50
G	TN155t0GRE10	CN150t0GRE10	150	100	50
G	TN205t0GRE15	CN200t0GRE15	200	150	50
G	TN305t0GRE20	CN300t0GRE20	300	200	50
G	TN455t0GRE30	CN450t0GRE30	450	300	50
G	TN605t0GRE45	CN600t0GRE45	600	450	50
H	TN105t0HRE05	CN100t0HRE05	100	50	50
H	TN155t0HRE10	CN150t0HRE10	150	100	50
H	TN205t0HRE15	CN200t0HRE15	200	150	50
H	TN305t0HRE20	CN300t0HRE20	300	200	50
H	TN455t0HRE30	CN450t0HRE30	450	300	50
H	TN605t0HRE45	CN600t0HRE45	600	450	50
A	Alu Zinc & Magnesium	These finishes are available upon request.			
4	AISI 304				
6	AISI 316				
8	AISI 316 L				
P	Powder Coated				


VU (Vertical Up Bend)

Finish	Tray Model No.	Cover Model No.	Width (W) mm	Height (H) mm
G	TN055t0GVU	CN050t0GVU	50	50
G	TN105t0GVU	CN100t0GVU	100	50
G	TN155t0GVU	CN150t0GVU	150	50
G	TN205t0GVU	CN200t0GVU	200	50
G	TN305t0GVU	CN300t0GVU	300	50
G	TN455t0GVU	CN450t0GVU	450	50
G	TN605t0GVU	CN600t0GVU	600	50
H	TN055t0HVU	CN050t0HVU	50	50
H	TN105t0HVU	CN100t0HVU	100	50
H	TN155t0HVU	CN150t0HVU	150	50
H	TN205t0HVU	CN200t0HVU	200	50
H	TN305t0HVU	CN300t0HVU	300	50
H	TN455t0HVU	CN450t0HVU	450	50
H	TN605t0HVU	CN600t0HVU	600	50
A	Alu Zinc & Magnesium	These finishes are available upon request.		
4	AISI 304			
6	AISI 316			
8	AISI 316 L			
P	Powder Coated			


VD (Vertical Down Bend)

Finish	Tray Model No.	Cover Model No.	Width (W) mm	Height (H) mm
G	TP055t0GVD	CN050t0GVD	50	50
G	TP105t0GVD	CN100t0GVD	100	50
G	TP155t0GVD	CN150t0GVD	150	50
G	TP205t0GVD	CN200t0GVD	200	50
G	TP305t0GVD	CN300t0GVD	300	50
G	TP455t0GVD	CN450t0GVD	450	50
G	TP605t0GVD	CN600t0GVD	600	50
H	TP055t0HVD	CN050t0HVD	50	50
H	TP105t0HVD	CN100t0HVD	100	50
H	TP155t0HVD	CN150t0HVD	150	50
H	TP205t0HVD	CN200t0HVD	200	50
H	TP305t0HVD	CN300t0HVD	300	50
H	TP455t0HVD	CN450t0HVD	450	50
H	TP605t0HVD	CN600t0HVD	600	50
A	Alu Zinc & Magnesium	These finishes are available upon request.		
4	AISI 304			
6	AISI 316			
8	AISI 316 L			
P	Powder Coated			

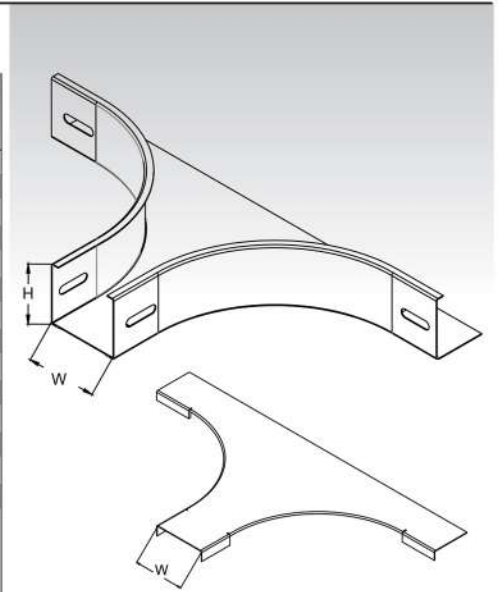


RACEWAY DIMENSION

Raceways Accessories Range

ET (Extension Tee)

Finish	Tray Model No.	Cover Model No.	Width (W) mm	Height (H) mm
G	TP055t0GET	CN050t0GET	50	50
G	TP105t0GET	CN100t0GET	100	50
G	TP155t0GET	CN150t0GET	150	50
G	TP205t0GET	CN200t0GET	200	50
G	TP305t0GET	CN300t0GET	300	50
G	TP455t0GET	CN450t0GET	450	50
G	TP605t0GET	CN600t0GET	600	50
H	TP055t0HET	CN050t0HET	50	50
H	TP105t0HET	CN100t0HET	100	50
H	TP155t0HET	CN150t0HET	150	50
H	TP205t0HET	CN200t0HET	200	50
H	TP305t0HET	CN300t0HET	300	50
H	TP455t0HET	CN450t0HET	450	50
H	TP605t0HET	CN600t0HET	600	50
A	Alu Zinc & Magnesium	These finishes are available upon request.		
4	AISI 304			
6	AISI 316			
8	AISI 316 L			
P	Powder Coated			



Product height customization options are available depending upon request.

Standard thickness:

- 1.6 (0.8, 1.0, 1.2, 1.8 & 2.0 available on request).
- Upto 1.6 mm thickness is available for SS and Pre-Galvanized materials.
- Upto 2 mm thickness is available for Hot-Dip Galvanized materials.

Standard Length upto 3 mtrs is available.

**EU DECLARATION OF CONFORMITY***(As per Low Voltage Directive 2014/35/EU Annex III – Para 3)*

Manufacturer/Assembler: Niedax India Cable Management Systems Private Limited
Plot No. 143/C-4, Bommasandra Industrial Area,
Hosur Road, Anekal Taluk, Bangalore, Karnataka – 560 099 (INDIA).
Tel No.: +91-80-29766811
Web: www.niedax.co.in

Description of Items: Cable Trays and Allied Accessories with support systems.
(SS, HDG, Powder coated & Pre-Galvanized Type)

Intended Application: To support insulated cables.

We, Niedax India Cable Management Systems Private Limited, Bangalore hereby declare that the above product (Cable Trays and Allied Accessories with support systems) fulfills all of the relevant requirements of applicable EU Directive and details of which are contained in the Technical Construction File


EU Directive Applied :
Low Voltage Directive 2014/35/EU

The following harmonized standard were used.

EN 61537:2007 : Management - Cable Tray Systems and Cable Ladder Systems.

This said product shall not be put into service along with any other equipment without establishing the conformity of the same to the corresponding EU directives.

The criteria for selection safety requirements of other associated equipments and installation guidelines are detailed in the Instruction Manual.

Marking: 

Year of First CE Marking: 05/2019

Year of Manufacture: 03/2018

AUTHORIZED SIGNATORY:

Name : Mr. Arshad Hussain
Position : Managing Director
Date. : 29.05.2019
Place : Bangalore

Signature 

**First CE
Certified
Cable Tray
Manufacturer
in India...**




TEST REPORT
Report No. : MAN:HL:1348005583
DATE : 15th July, 2022


NIEDAX INDIA CABLE MANAGEMENT SYSTEM PVT. LTD
 143/C-4 BOMMASANDRA INDUSTRIAL AREA HOSUR MAIN ROAD
 ANEKAL TALUK, BANGALORE- 560099
 INDIA
CONTACT PERSON : AADITH

THE FOLLOWING SAMPLE(S) WAS/WERE SUBMITTED AND IDENTIFIED BY/ON BEHALF OF THE CUSTOMER AS :

SAMPLE DESCRIPTION	HOT DIP GALVANIZED CABLE TRAY
COLOUR	ZINC BLUE
ORDER NO.	202205/01559
COUNTRY OF DESTINATION	INDIA
COUNTRY OF ORIGIN	INDIA
SAMPLE RECD ON	28/06/2022
TEST PERFORMING DATE	28/06/2022 TO 14/07/2022

TEST REQUESTED Two hundred and twenty-three (223) substances in the Candidate List of Substances of Very High Concern (SVHC) for authorization published by European Chemicals Agency (ECHA) on and before Jan 17, 2022 regarding Regulation (EC) No 1907/2006 concerning the REACH.

SUMMARY:

According to the specified scope and analytical techniques, concentrations of tested SVHC are ≤ 0.1% (w/w) in the submitted sample.	PASS
---	-------------

TEST METHOD & RESULT(S) PLEASE REFER TO NEXT PAGE(S)

Per Pro SGS India Pvt. Ltd.



SANDIP BHUSHAN (Technical Manager)
 Authorized Signatory
 Email your Test Report Related Enquiries at Feedback.HLT@ss.com



JOE No. : 2248802458

4960382

Page 1 of 11

Control No.:1348507636

This document is issued by the Company subject to its General Conditions of Service printed overleaf, available on request or accessible at <http://www.sgs.com/terms> and, for electronic format documents, subject to Terms and Conditions for Electronic Documents at www.sgs.com/terms_e-document.htm. Attention is drawn to the limitation of liability, indemnification and jurisdiction issues defined therein. Any holder of this document is advised that information contained hereon reflects the Company's findings at the time of its intervention only and within the limits of Client's instructions, if any. The Company's sole responsibility is to its Client and this document does not exonerate parties to a transaction from exercising all their rights and obligations under the transaction documents. This document cannot be reproduced except in full, without prior written approval of the Company. Any unauthorized alteration, forgery or falsification of the content or appearance of this document is unlawful and offenders may be prosecuted to the fullest extent of the law. Unless otherwise stated the results shown in this test report refer only to the sample(s) tested and such sample(s) are retained for 30 days only.

SGS India Pvt. Ltd.

Connectivity and Products, Testing Laboratory, Plot no. 21, Sector 3, IMT Manesar, Gurugram District, Haryana- 122050 (India) t: (+91-124 678 7600

www.sgs.com

Member of the SGS Group (SGS SA)


**BUREAU
VERITAS**
Bureau Veritas Certification
**NIEDAX INDIA CABLE MANAGEMENT
SYSTEMS PVT. LTD.**

 PLOT # 143/C-4, BOMMASANDRA INDUSTRIAL AREA, HOSUR ROAD,
ANEKAL TALUK, BANGALORE – 560 099, KARNATAKA, INDIA.

Bureau Veritas Certification Holding SAS – UK Branch certifies that the Management System of the above organization has been audited and found to be in accordance with the requirements of the Management System standards detailed below.

Standards

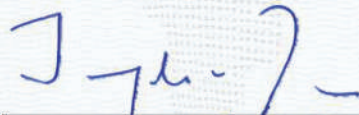
ISO 9001:2015 & ISO 45001:2018

Scope of certification

**DESIGN, DEVELOPMENT, MANUFACTURING AND SUPPLY OF
CABLE SUPPORT SYSTEMS.**

Original cycle start date:	15 October 2020
Expiry date of previous cycle:	Not Applicable
Certification Audit date:	25 August 2020
Certification cycle start date:	15 October 2020

 Subject to the continued satisfactory operation of the organization's Management
this certificate expires on: **14 October 2023**

 Certificate No. **IND.20.3212/IM/U** Version : 1 Revision date: **15 October 2020**


Signed on behalf of BVCH SAS – UK Branch
Jagdheesh N. MANIAN
Head – CERTIFICATION, South Asia
Commodities, Industry & Facilities Division

Certification body address: 5th Floor, 66 Prescott Street, London, E1 8HG, United Kingdom.

 Local office: Bureau Veritas (India) Private Limited (Certification Business)
72 Business Park, Marol Industrial Area, MIDC Cross Road "C",
Andheri (East), Mumbai – 400 093, India.


Further clarifications regarding the scope of this certificate and the applicability of the management system requirements may be obtained by consulting the organization.
To check this certificate validity please call **+91 22 6274 2000**.



STANDARDS & CERTIFICATES



**BUREAU
VERITAS**

Ref: BVIPL:SPL: BL/873(b)/3/2018
Test Order dated: 10.3.18

Date : 14.3.2018

M/s Niedax India Cable Management Systems Private Limited
1007, Level 10, Prestige Meridian I
No. 29, M.G. Road, Bangalore 560 001

TEST REPORT ON CABLE TRAY SAMPLE

Source of sample : Sample supplied by the customer
Customer Reference : Letter dated 10.3.18
UIN : 18008649
Project* : Not furnished
Date of test : 13.3.18
Sample description* : Perforated Cable Tray
Size of the sample* : 400 (W) x 100 (H) x 2500 mm (L) & 2 mm thick
Span : 2350 mm
Bearing : 75 mm
Condition of sample : Satisfactory
Test Method : NEMA VE 1 (National Electrical Manufacturers Association)

LOAD TEST :

Sl. No.	Applied Load (kg)	Central Deflection (mm)	Observation
1	0	0	No Permanent Deformation Observed
2	20	0.81	
3	40	1.73	
4	60	2.75	
5	80	4.32	
6	100	19.07	
7	120	23.58	
8	120 kg (After 15 minutes)	23.58	
9	Residual (0 kg) (After 15 minutes)	0.89	
10	Max. Failure Load (kg)	900	Permanent Deformation Observed

* As furnished by the customer

- Note:
- The results relate only to the items tested.
 - Report shall not be reproduced, except in full, without the written approval of the lab.
 - Any correction invalidates this report.

for **BUREAU VERITAS (INDIA) PRIVATE LIMITED**
Construction Services Laboratory

[Signature]
14/03/2018
SANJEEV PATGAR
Manager LAB



[Signature]
17-3-2018

Bureau Veritas (India) Private Limited
(Construction Services Laboratory)
43, 45-47, Pete Chennappa Inds. Estate, 1st Main
Magadi Road, Kamakshipalya, Bangalore - 560 079
Tel.: +91 80 23011800 Fax: +91 80 26716833
bangalore.lab@in.bureauveritas.com

Regd. Off. : 72 Business Park, Ground Floor
Marol Industrial Area, MIDC, Cross Road 'C'
Andheri (East), Mumbai - 400 093. INDIA
Tel.: +91 22 62742000 Fax: +91 22 62742008
www.bureauveritas.co.in
CIN: U74210MH2001PTC134262

Offices/Labs at: Ahmedabad, Baroda
Bhopal, Chennai, Cochin, Coimbatore
Delhi, Goa, Hubli, Hyderabad, Indore
Jaipur, Kakinada, Kandla, Kolkata, Ludhiana
Mangalore, Nagpur, Nashik, Pune, Raipur
Surat, Trichy & Visakhapatnam

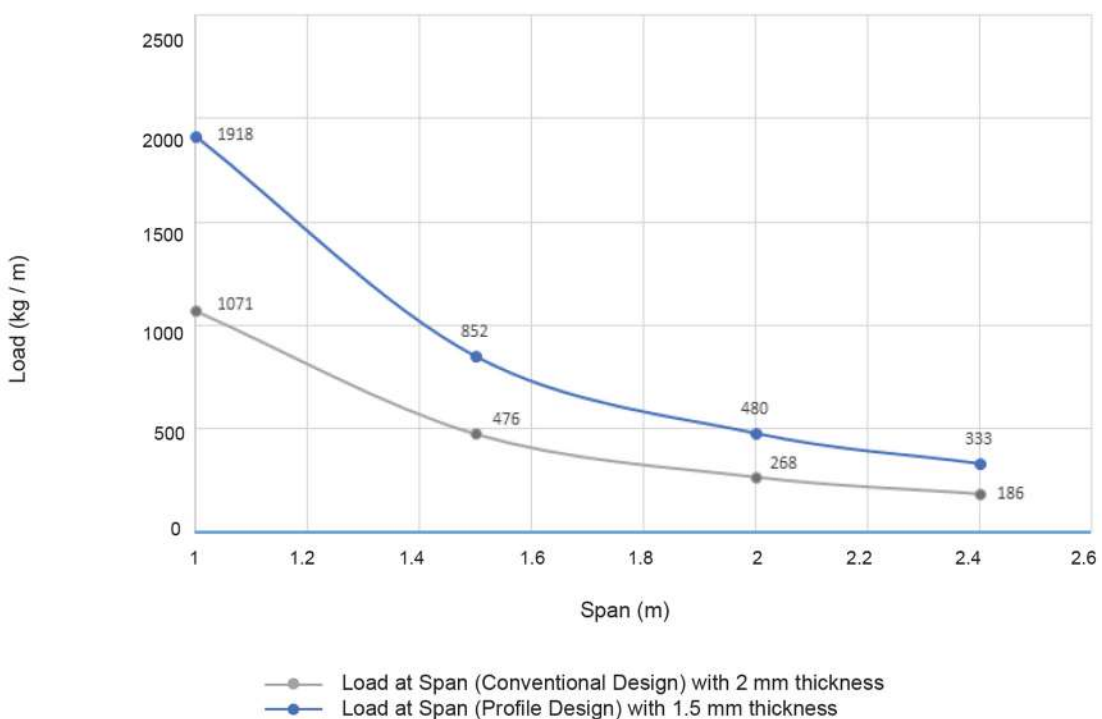
PRODUCTS STANDARDS & PERFORMANCES

IEC / EN-61537
NEMA-VE1

Thinner Profile Design is much Stronger than Thicker Standard Design

Test product : Perforated Cable Tray (Conventional)	Span (m)	Load at Span(Kg)	Test product : Perforated Cable Tray (Profile)	Span (m)	Load at Span(Kg)
Thickness : 2 mm	1	1071	Thickness : 1.5 mm	1	1918
Size of the product : 200 x 50 mm (W x H)	1.5	476	Size of the product : 200 x 50 mm (W x H)	1.5	852
	2	268		2	480
	2.4	186		2.4	333

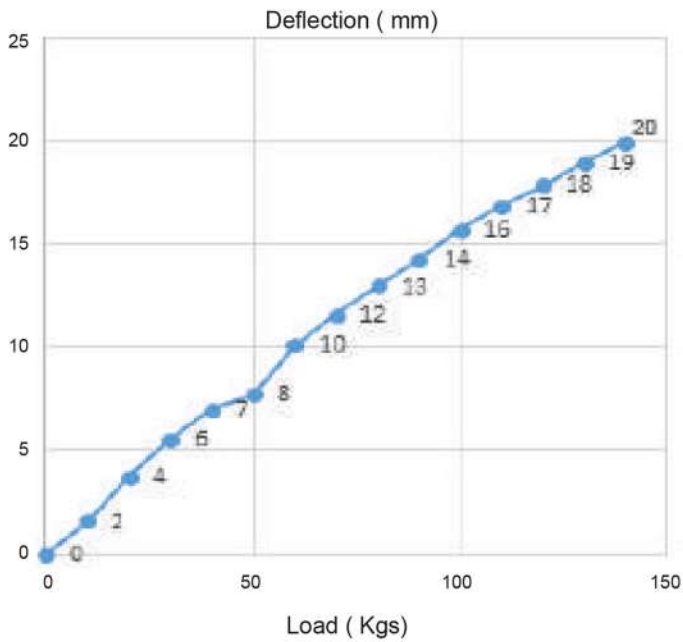
**Load Bearing Capacity Comparison between
Conventional & Profile Design
Allowable Load Graph**



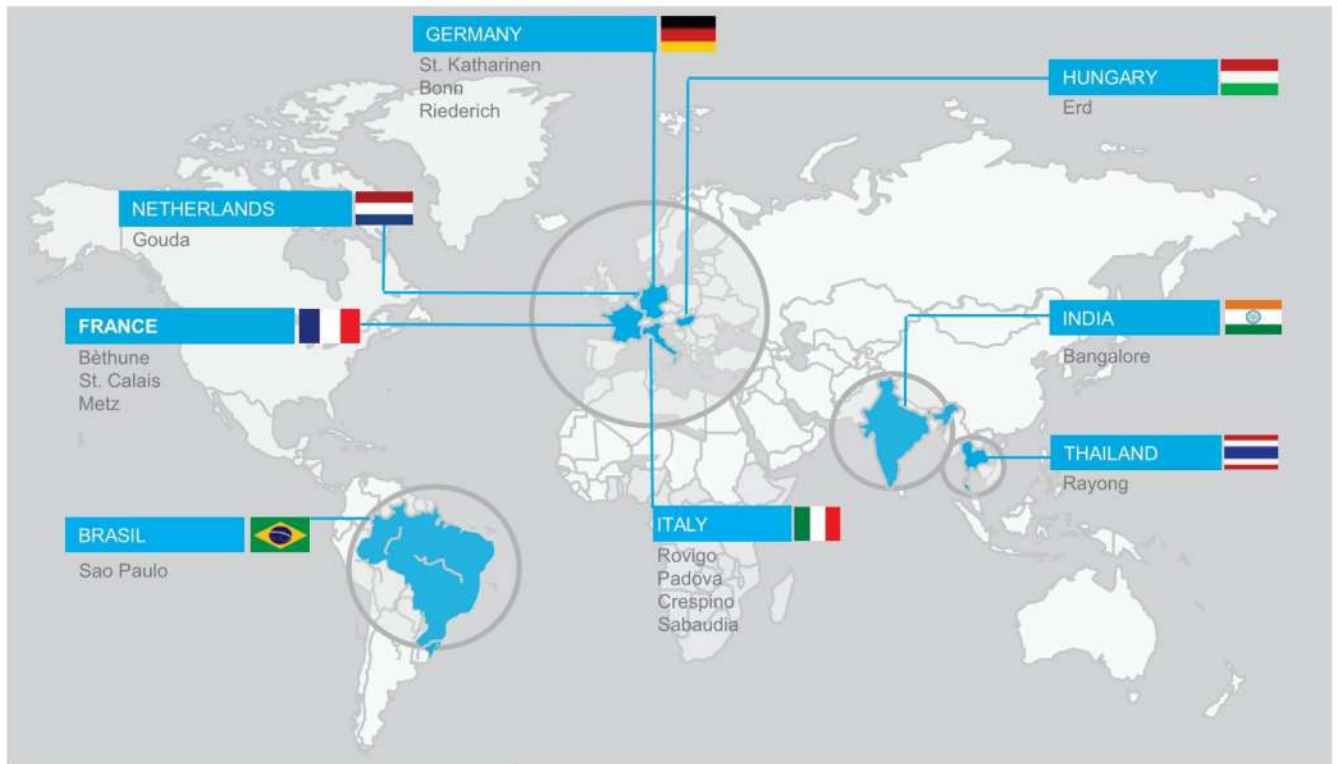
Load Bearing Test Report of Profile Design Cable Tray

Test product	Perforated Cable Tray (Profile Type)
Size of the product	200 x 100 x 2500 mm
MOC	GI
Thickness	1.0 mm
Span	2400 mm
Bearing	75 mm
Reference Standard	NEMA VE 1

Sl. No.	Applied Load (Kg)	Deflection (mm)	Observation
1	0	0	No Permanent Deformation Observed
2	10	2	
3	20	4	
4	30	6	
5	40	7	
6	50	8	
7	60	10	
8	70	12	
9	80	13	
10	90	14	
11	100	16	
12	110	17	
13	120	18	
14	130	19	
15	140	19	
16	Breaking Load	330 Kgs	Permanent Deformation Observed



GLOBAL PRESENCE



21 PRODUCTION SITES WORLDWIDE



Niedax India Cable Management Systems Pvt. Ltd.

Corporate Office: Plot No.143/C-4, Bommasandra
Industrial Area, Hosur Road, Anekal Taluk, Bangalore - 560099
Mob: +91-99-8642-8428/ +91-90-0137-4307
Tel: +91-080-4116-1385 | info@niedax.co.in | www.niedax.co.in